

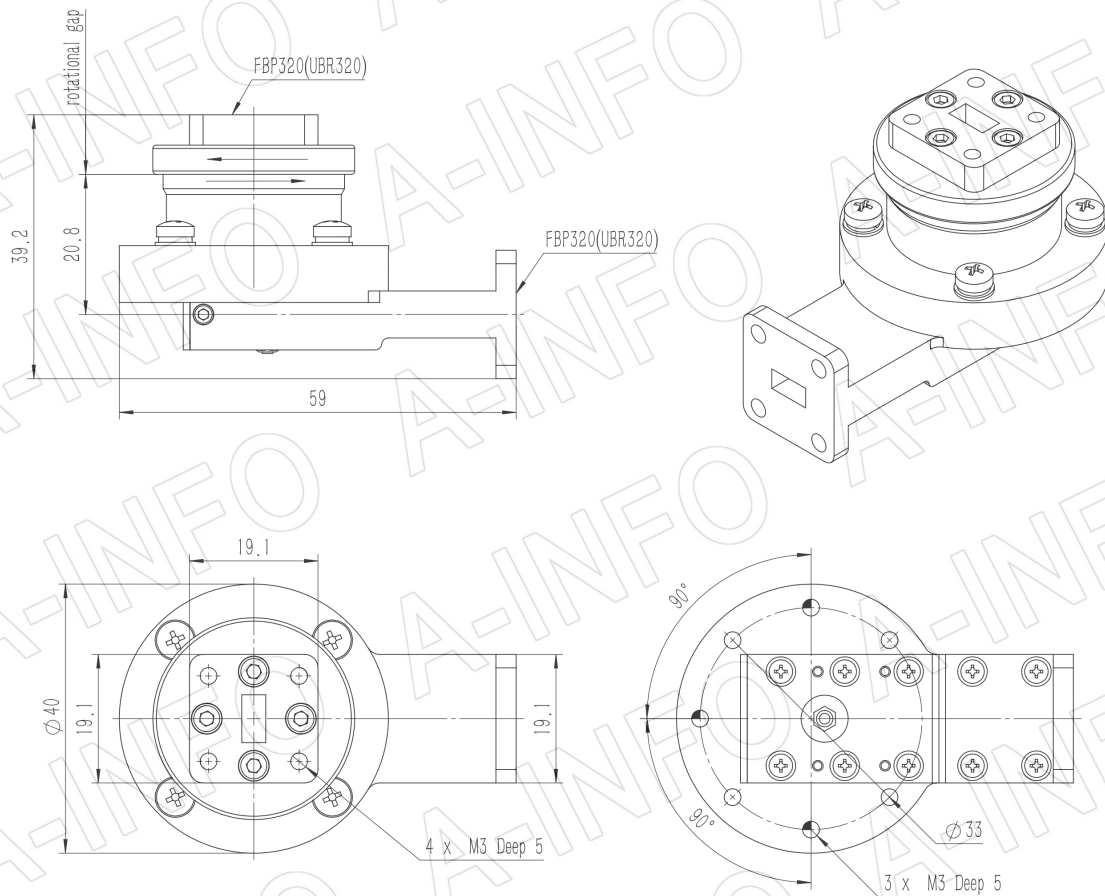
For reference only. See data sheet for the detailed specifications.

Technical Specification

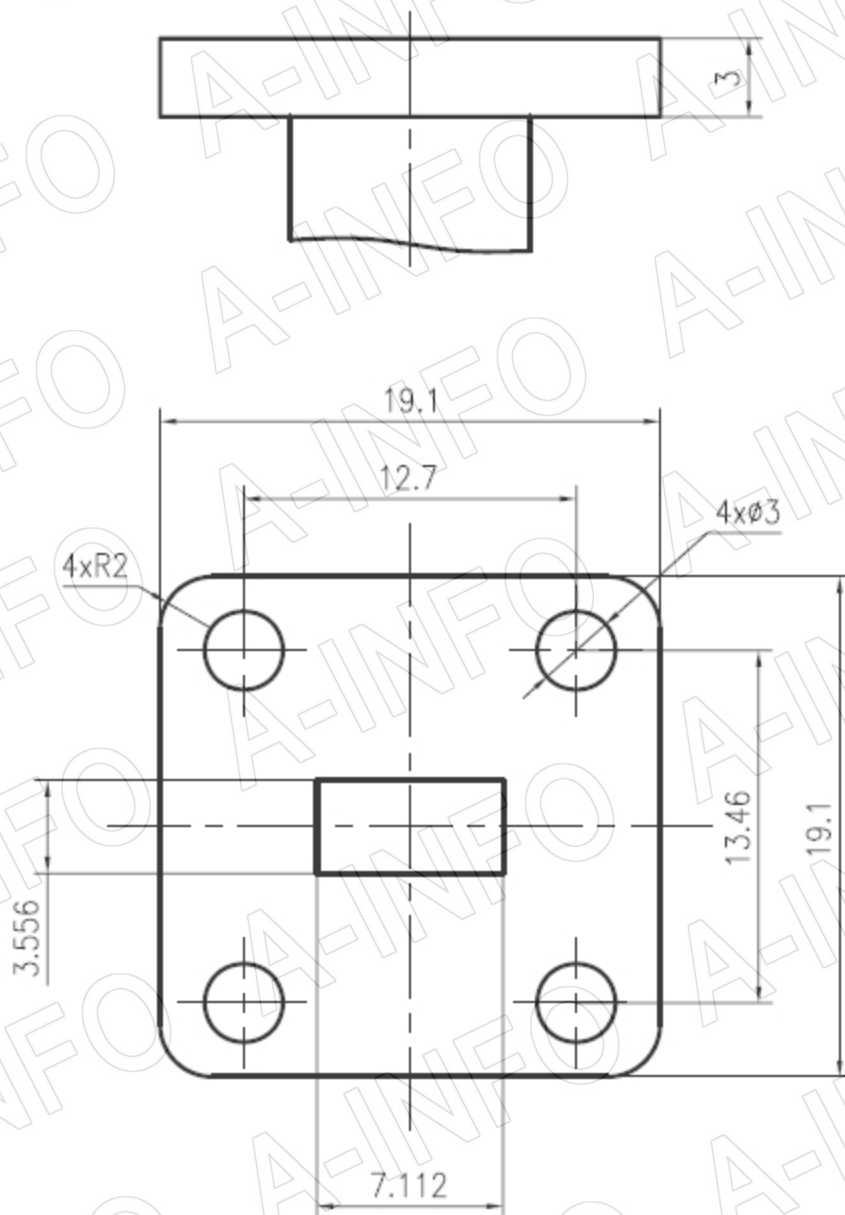


| | |
|----------------------|----------------|
| Waveguide | WR28 |
| Frequency Range(GHz) | 34.0-36.0 |
| VSWR | 1.40:1 Max. |
| Insertion Loss(dB) | 1.0 Max. |
| Average Power(W) | 30 |
| Peak Power(KW) | 0.3 |
| Flange | FBP320(UBR320) |
| Material | Cu |
| Size(mm) | 59 x 40 x 39.2 |
| Net Weight(Kg) | 0.18 Around |

Outline Drawing (Size: mm)



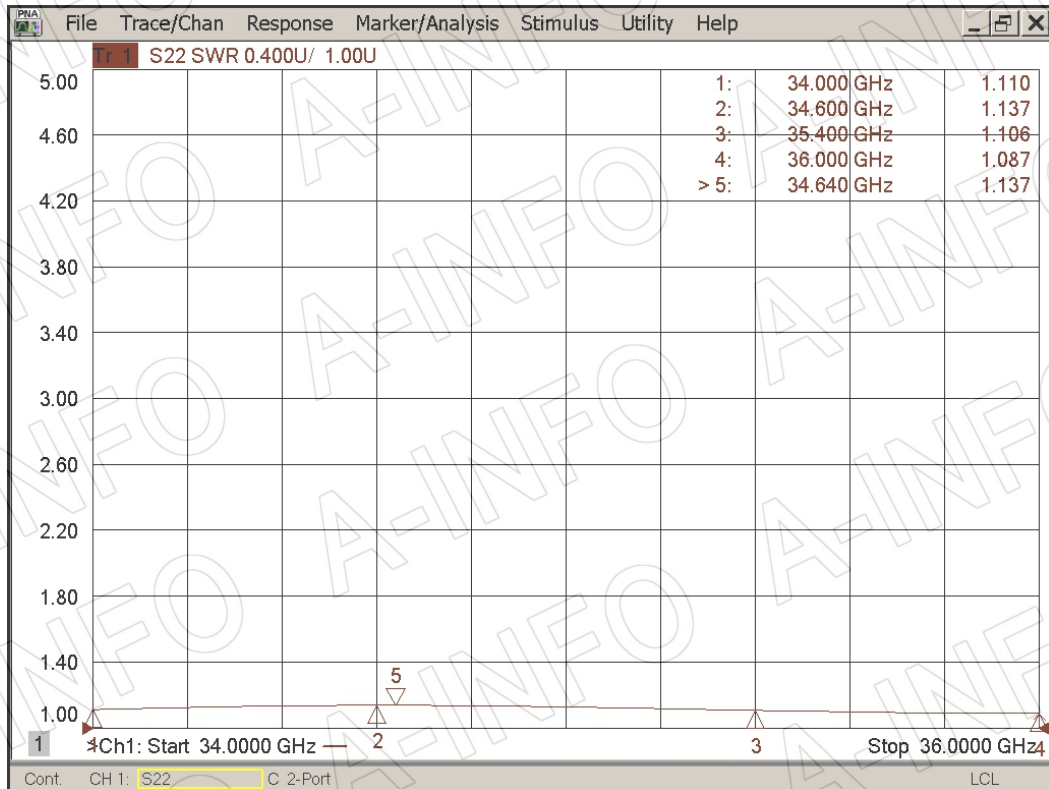
Flange Drawing (Size: mm)



FBP320

Test Results

VSWR



I.L.

